

D

DUCTILE IRON CHECK VALVE BS 5153 PN16 (WAFER TYPE) WITH FUSION BONDED EPOXY COATING



Features

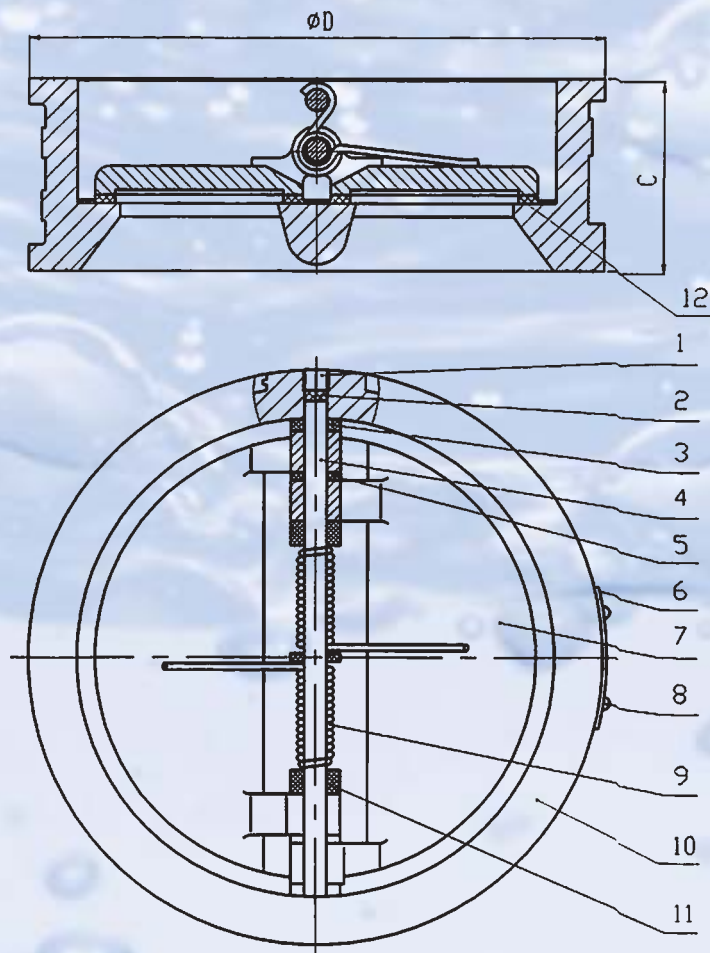
1. Small in size, light in weight, compact in structure and easy in maintenance.
2. Two torsion springs are exerted on each of the valve discs, which close the discs quickly and automatically.
3. The quick-close action prevents the medium from flowing back and eliminates water hammer effect.
4. The valve is short in length, so that it is rigid and easy to install.
5. The valve is tightly sealed with no leakage.
6. The valve can be installed either horizontally or vertically in the piping system.

Specification

Wafer Check Valve, Double door.

Suitable for the flanges mounting to BS, JIS, ANSI, Etc...

Size Range : 50mm (2") to 600mm (24")



Pressure Ratings

Size	Nominal	1.6	Mpa
2" to 12"	Shell Testing Pressure	2.4	
50mm to 300mm	Sealing Testing Pressure	1.76	
Size	Nominal	1.0	Mpa
14" to 24"	Shell Testing Pressure	1.5	
350mm to 600mm	Sealing Testing Pressure	1.1	

Working Pressure : 24 bars
Working Temperature : 1<100°C

Dimensions

DN		C	D
mm	inch	mm	mm
50	2"	43	101
65	2. 1.2"	46	121
80	3"	64	129
100	4"	64	156
125	5"	70	187
150	6"	76	213
200	8"	89	267
250	10"	114	327
300	12"	114	375
350	14"	127	420
400	16"	140	483
450	18"	152	537
500	20"	152	592
600	24"	178	695

Dimensions

No.	Name	Material
1	Screw	Q235-A
2	Stem Washer	NBR / EPDM
3	Disc Ring	F4
4	Stem	SS316
5	Washer	F4
6	Lable	H62
7	Disc	CF8
8	Plate Rivet	L3
9	Spring	SS316
10	Body	DI
11	Washer	F4
12	Seat	NBR / EPDM



道遠私人有限公司

DUCTILE PTE LTD

No. 5 Defu Lane 6 Singapore 539367

Tel : (65) 6284 5511 Fax : (65) 6285 1930

Email : ductile@ductile.com.sg

http://www.ductile.com.sg

ISO 9001
 BUREAU VERITAS
 Certification

