

D

DZR Brass Gate Valve, Check Valve & Chrome Plated Mini Ball Valve BS 5154 PN16/PN20

PSB TESTED AND CERTIFIED



Premium Quality Brass Gate Valve, Check Valve & Chrome Plated Mini Ball Valve



道達私人有限公司
DUCTILE PTE LTD

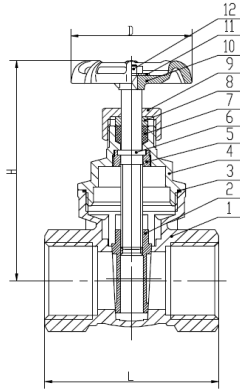
Reg No.: 197500199W GST Reg No.: M2-0021158-8

No. 5 Defu Lane 6 Singapore 539367
Tel: (65) 6284 5511 Fax: (65) 6285 1930
Email: ductile@singnet.com.sg
<http://www.ductile.com.sg>

ISO 9001
BUREAU VERITAS
Certification



D ZZR BRASS THREADED ENDS (F x F) GATE VALVE PN 16



Standard : BS 5154

Working Pressure : 16 Bar (Water - Non Shock)

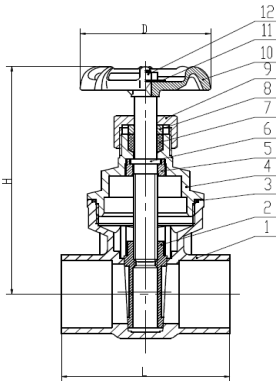
Working Temperature : 10 to 100oC

NO	PART	MATERIAL
1	Body	DZR Brass
2	Disc	DZR Brass
3	Stem	DZR Brass
4	Seal	PTFE
5	Bonnet	DZR Brass
6	Screw	DZR Brass
7	Seal	PTFE
8	Compression Ring	Alu
9	Compression Nut	Brass
10	HandWheel	Cast Iron
11	Name Plated	Alu
12	Nut	Stainless steel

Screwed Bonnet, Non Rising Stem, Solid Wedge Disc, Integral Seat, Threaded Ends to BS21

Material : DZR Brass									
Size (Inch)		1/2"	3/4"	1"	1-1/4"	1-1/2"	2"	2-1/2"	3"
Length (mm)	L	53.5	59	72.5	76	76	91	110	120
Height (mm)	H	68.5	82	102	119	125	145	177	204
Diameter Handwheel (mm)	D	53	59	71	73	78	78	108	105
Weight (grams)	WT(G)	276	410	680	949	1152	1835	3421	4627

D ZZR BRASS SOLDERING ENDS (MBL) GATE VALVE PN 20



Standard : BS 5154

Working Pressure : 16 Bar (Water - Non Shock)

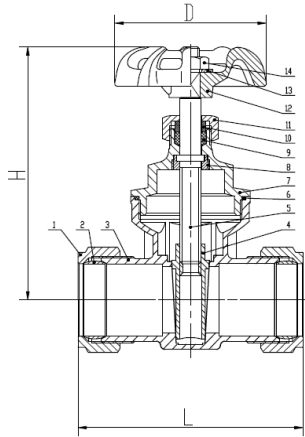
Working Temperature : 0 to 100oC

NO	PART	MATERIAL
1	Body	DZR Brass
2	Disc	DZR Brass
3	Stem	DZR Brass
4	Bonnet	DZR Brass
5	Seal	PTFE
6	Screw	DZR Brass
7	Seal	PTFE
8	Compression Ring	Alu
9	Compression Nut	Brass
10	HandWheel	Cast Iron
11	Name Plated	Alu
12	Nut	Stainless steel

Screwed Bonnet, Non Rising Stem, Solid Wedge Disc, Integral Seat, Solder Ends to BS864-2

Material : DZR Brass									
Size (Inch)		1/2"	3/4"	1"	1-1/4"	1-1/2"	2"	2-1/2"	
Length (mm)	L	42	54	65	77	85	101	108	
Height (mm)	H	68	81	102	117	125	145	175	
Diameter Handwheel (mm)	D	53	59	71	73	78	78	105	
Weight (grams)	WT(G)	223	357	530	824	1080	1563	2939	

D DZR BRASS COMPRESSION ENDS (C x C) GATE VALVE PN 16



NO	PART	MATERIAL
1	Compression Nut	DZR Brass
2	Ring	H62
3	Body	DZR Brass
4	Dics	DZR Brass
5	Stem	DZR Brass
6	Seal	PTFE
7	Bonnet	DZR Brass
8	Srew	DZR Brass
9	Seal	PTFE
10	Compression Ring	Brass
11	Nut	Brass
12	Handwheel	Cast Iron
13	Name Plated	Alu
14	Nut	Stainless steel

Standard : BS 5154

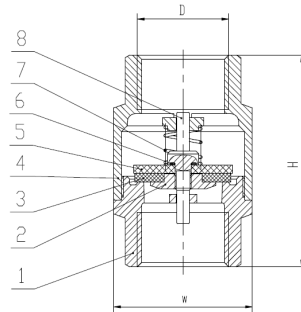
Working Pressure : 16 Bar (Water - Non Shock)

Working Temperature : 10 to 100oC

Screwed Bonnet, Non Rising Stem, Solid Wedge Disc, Integral Seat, Compression Ends to BS 1254

Material : DZR Brass					
Size (Inch)		1"	1-1/4"	1-1/2"	2"
Length (mm)	L	86	107	109	126
Height (mm)	H	103	118	126	145
Diameter Handwheel (mm)	D	71	73	78	78
Weight (grams)	WT(G)	683	1027	1434	1874

D DZR BRASS SPRING (F X F) CHECK VALVE PN 16



NO	PART	MATERIAL
1	Bonnet	DZR brass
2	Screw	DZR brass
3	Seal	VMQ
4	Body	DZR brass
5	Bloster	PA66
6	O-Ring	EPDM
7	Spring	1CR18NI9
8	DISC	DZR brass

Standard : BS 5154

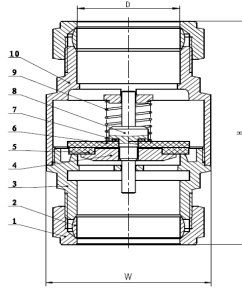
Working Pressure : 16 Bar (Water - Non Shock)

Working Temperature : 10 to 100oC

Spring Check Valve, Screwed Cap Integral Seat, Metal Piston Design, Threaded Ends to BS 21

Material : DZR Brass									
Size (Inch)		1/2"	3/4"	1"	1-1/4"	1-1/2"	2"	2-1/2"	3"
Flow Way (mm)	D	18.6	24.1	30.29	38.9	44.84	56.6	72.2	84.9
Height (mm)	H	59.5	66.5	76	83	91	104	127	147
Width (mm)	W	31.5	41.3	51	60	67	82	101.5	117
Weight (grams)	WT(G)	181	302	473	728	933	1305	2300	3300

D DZR BRASS COMPRESSION (C X C) CHECK VALVE PN 16



Standard : BS 5154

Working Pressure : 16 Bar (Water - Non Shock)

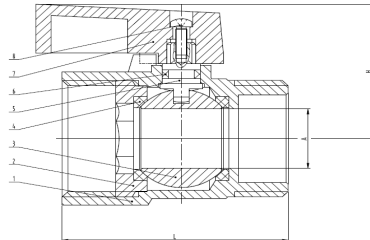
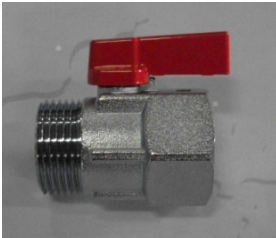
Working Temperature : 10 to 100oC

NO	PART	MATERIAL
1	Compression Nut	DZR Brass
2	Ring	H62
3	Bonnet	DZR Brass
4	Srew	DZR Brass
5	Seal	VMQ
6	bolster	PA66
7	O-ring	EPDM
8	Disc	DZR Brass
9	spring	1Cr18Ni9
10	body	DZR Brass

Spring Check Valve, Screwed Cap Integral Seat, Metal Piston Design, Compression Ends to BS 1254

Material : DZR Brass		
Size (Inch)		1-1/2"
Flow Way (mm)	D	42
Height (mm)	H	115
Width (mm)	W	67
Weight (grams)	WT(G)	1050

D CHROME PLATED DZR BRASS MINI BALL VALVE (M X F)



Standard :

Working Pressure :

Tested to : SS 75 Part 2 (BS 1010 Part 2 : 1973)

NO	PART	MATERIAL
1	body	DZR brass
2	bonnet	DZR brass
3	ball	DZR brass
4	seat	PTFE
5	stem	DZR brass
6	o-ring	EPDM
7	hand	ALU
8	screw	ALU
		stainless steel

Chrome Plated DZR Brass Mini Ball Valve, Male X Female Threaded Ends to BS21

Material : DZR Brass (Chrome)				
Size (Inch)		1/2"	3/4"	1"
Bore Size (mm)	A	9.5	12	17
Height (mm)	H	30	32.5	38.5
Length (mm)	L	44	49	59
Weight (grams)	WT(G)	104	161.5	288.5

The company reserves the right to change the specification without prior notice.

DUCTILE PTE LTD No. 5 Defu Lane 6 Singapore 539367

TEL : 6284 5511 FAX : 6285 1930 Website : <http://www.ductile.com.sg> Email : ductile@ductile.com.sg