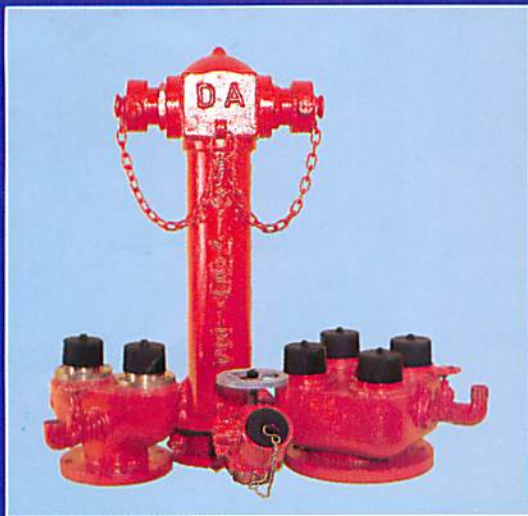


DUCTILE FIRE FIGHTING EQUIPMENTS & ACCESSORIES



DUCTILE PTE LTD

NO. 5 DEFU LANE 6 SINGAPORE 539367
OFFICE TEL: (65) 62845511, 62895698 (A/C) FAX: (65) 62851930
WAREHOUSE TEL: (65) 62835369 FAX: (65) 63824579
E-mail: ductile@mbox2.singnet.com.sg
<http://www.ductile.com.sg>

FIRE FIGHTING EQUIPMENT & ACCESSORIES

SWING TYPE HYDRAULIC HOSE REEL

DUCTILE Swing Type Hydraulic Hose Reel is designed for mounting on a flat wall with easy access.

It has been tested by SISIR and was approved to BS5274.

DUCTILE Swing Type Hydraulic Hose Reel is subjected to hydraulic test pressure of up to 300 psi.

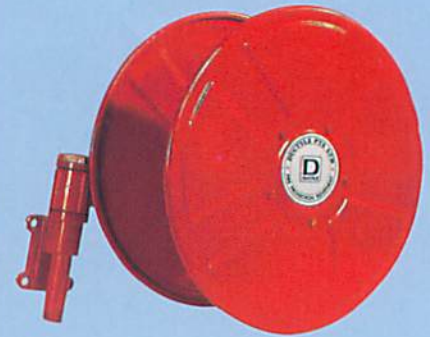
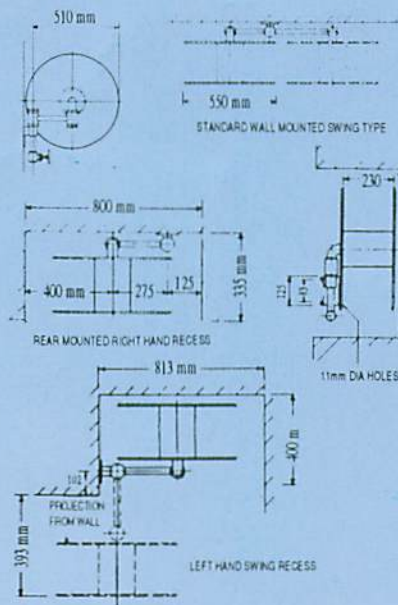
Size : 20 mm (3/4") or 25 mm (1")

Material :

Drum/Disc - Mild steel in red polyester electrostatic powder coating

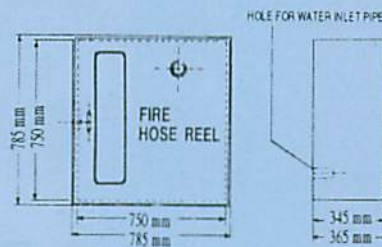
Arm - Aluminium

Inlet Pipe - Mild steel



HOSE REEL CABINET

DUCTILE Hose Reel Cabinet is made of Electro-Galvanised sheet with Red Powder coating. It consists of one visual glass, break key holder, aluminium door holder. It is protected by rubber strip surrounding the visual glass and door seal portion.



LANDING VALVES

The Landing Valve has a range of 65 mm nominal diameter and it is designed to control water flow, suitable for dry and wet riser installation. These valves are manufacture in accordance with BS 5154 and BS 5041 Part 1.

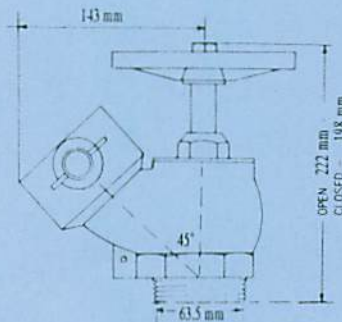
Materials :-

- (i) **Body :** Bronze / Brass
- (ii) **Handwheel :** Light Alloy
- (iii) **Disk :** Rubber
- (iv) **Blank Cap :** Plastic

Inlet : 65 mm BSP Threaded Male or standard flanged to table E

Outlet : 65 mm Female instantaneous to BS 336

Test pressure : 300 psi



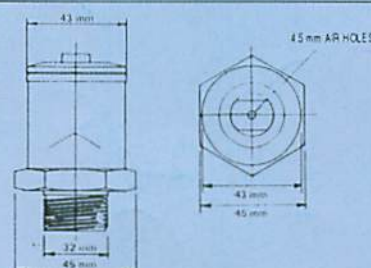
AIR RELEASE VALVE

Air release valve helps to discharge off excess air in both dry and wet riser main.

Size available : 20 mm & 25 mm

Material : Brass

Test pressure : 300 psi

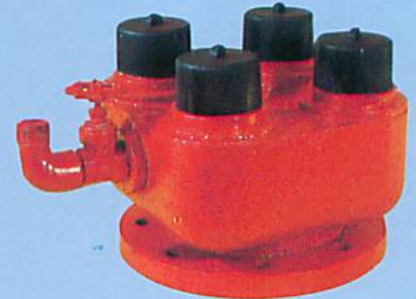
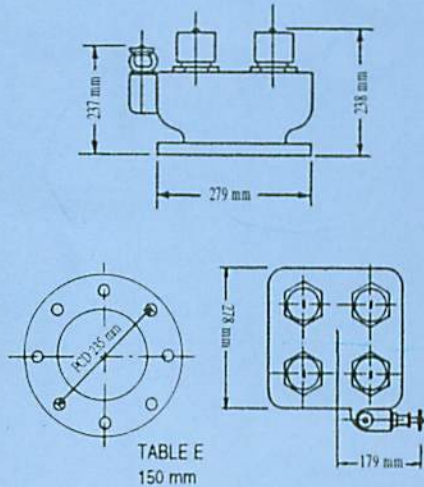


FIRE FIGHTING EQUIPMENT & ACCESSORIES

4 WAY WET/DRY RISER INLET BREECHING

Riser Inlet Breecching are designed with four 65 mm instantaneous male inlets with spring-loaded non returned valves, **4 Way Breecching** are provided with a 25 mm drain valve with a 25 mm bsp male outlet.

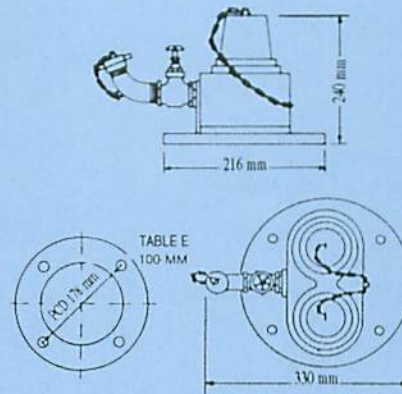
Breecching bodies are made of cast iron to BS 2789. Inlets are made of brass or bronze with 65 mm instantaneous connection to BS 336. Plastic dust and protection caps are provided on all inlets, and special inlets can be provided if required.



2 WAY WET/DRY RISER INLET BREECHING

Riser Inlet Breecching are designed with two 65 mm instantaneous male inlets with spring-loaded non returned valves, **2 Way Breecching** are provided with a 25 mm drain valve with a 25 mm bsp male outlet.

Breecching bodies are made of cast iron to BS 2789. Inlets are made of brass or bronze with 65 mm instantaneous connection to BS 336. Plastic dust and protection caps are provided on all inlets, and special inlets can be provided if required.



4 WAY DRY/WET RISER BREECHING INLET CABINET

Material : - (a) Body : 18G Electro - Galvanised Sheet

(b) Door Glass : 6 mm thick glazing wire glass

Finish : Red Powder Coating

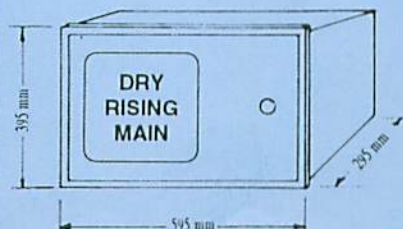


2 WAY DRY/WET RISER BREECHING INLET CABINET

Material : - (a) Body : 18G Electro - Galvanised Sheet

(b) Door Glass : 6 mm thick glazing wire glass

Finish : Red Powder Coating



FIRE FIGHTING EQUIPMENT & ACCESSORIES

150 mm THREE WAY HYDRANT

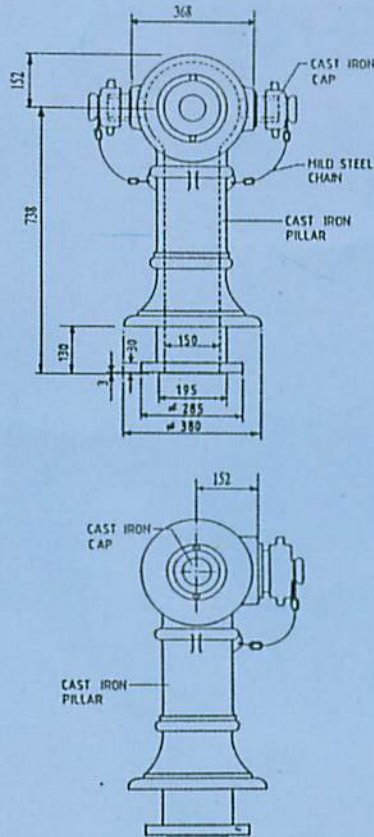
3 Way Hydrant is completed with 150 mm dia. Flange inlet drill to PN 16, two 65 mm and one 100 mm brass or bronze BS 336. Male v/round thread outlets c/w heavy duty type cast iron caps and chains.

Material Specifications :

All cast iron casting - to BS 1452 grey cast iron

All bronze casting - to BS 1400 LG2 (with zinc content less than 1%)

Hydraulic test pressure : 300 psi



100 mm TWO WAY HYDRANT

2 Way Hydrant is completed with 100 mm dia. Flange inlet drill to PN 16, two 65 mm brass/bronze BS 336. Male v/round thread outlets. In order to achieve faster rescue operation, Hydrants can be filled with valves complete with instantaneous outlet to BS 336.

Material Specifications :

All cast iron casting - to BS 1452 grey cast iron

All bronze casting - to BS 1400 LG2 (with zinc content less than 1%)

Hydraulic test pressure : 300 psi

